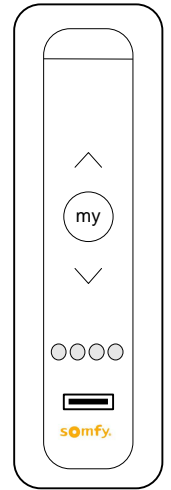
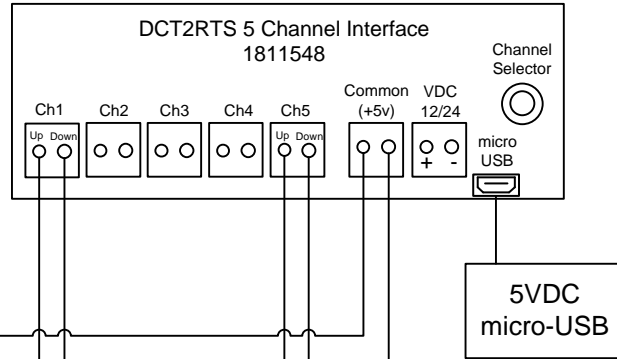
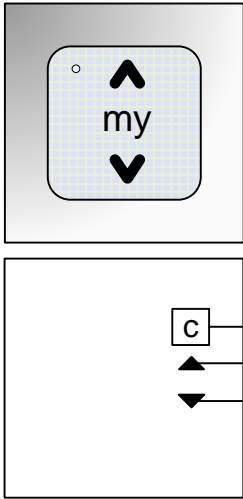


Smoove IB

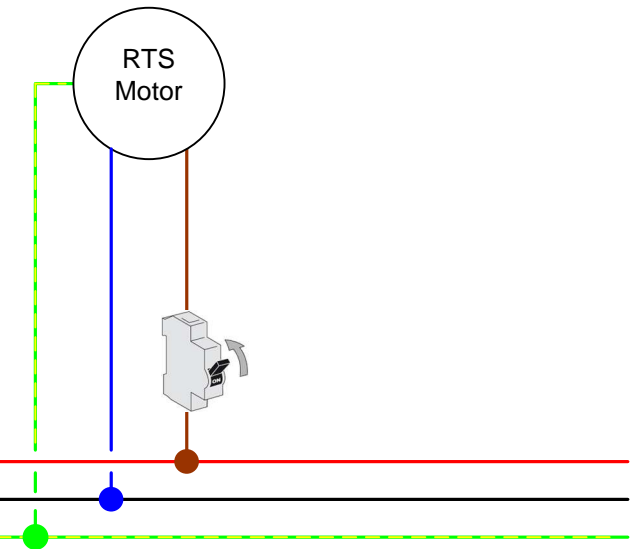
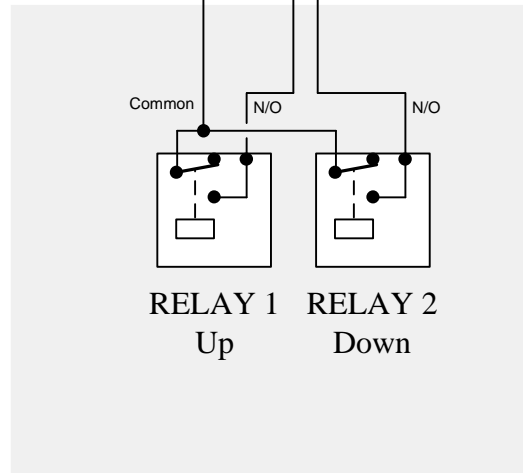


SITUO 5 RTS

Note:


For BMS control of motors individually each channel input will require two Dry Contact (0 volt) relays with a momentary latch of 0.5 – 1 second.

Please refer to User Manual for Switch Compatibility table.



ACTIVE
NEUTRAL
EARTH

230 V 50Hz

		Project Name		© Copyright 2017 All rights reserved These drawings remain the property of Somfy and shall not be copied or used without written permission.
		DCT2RTS		
Date Printed	20/10/2017	Drawn By	Harry DO	
Drawing No	0001482			